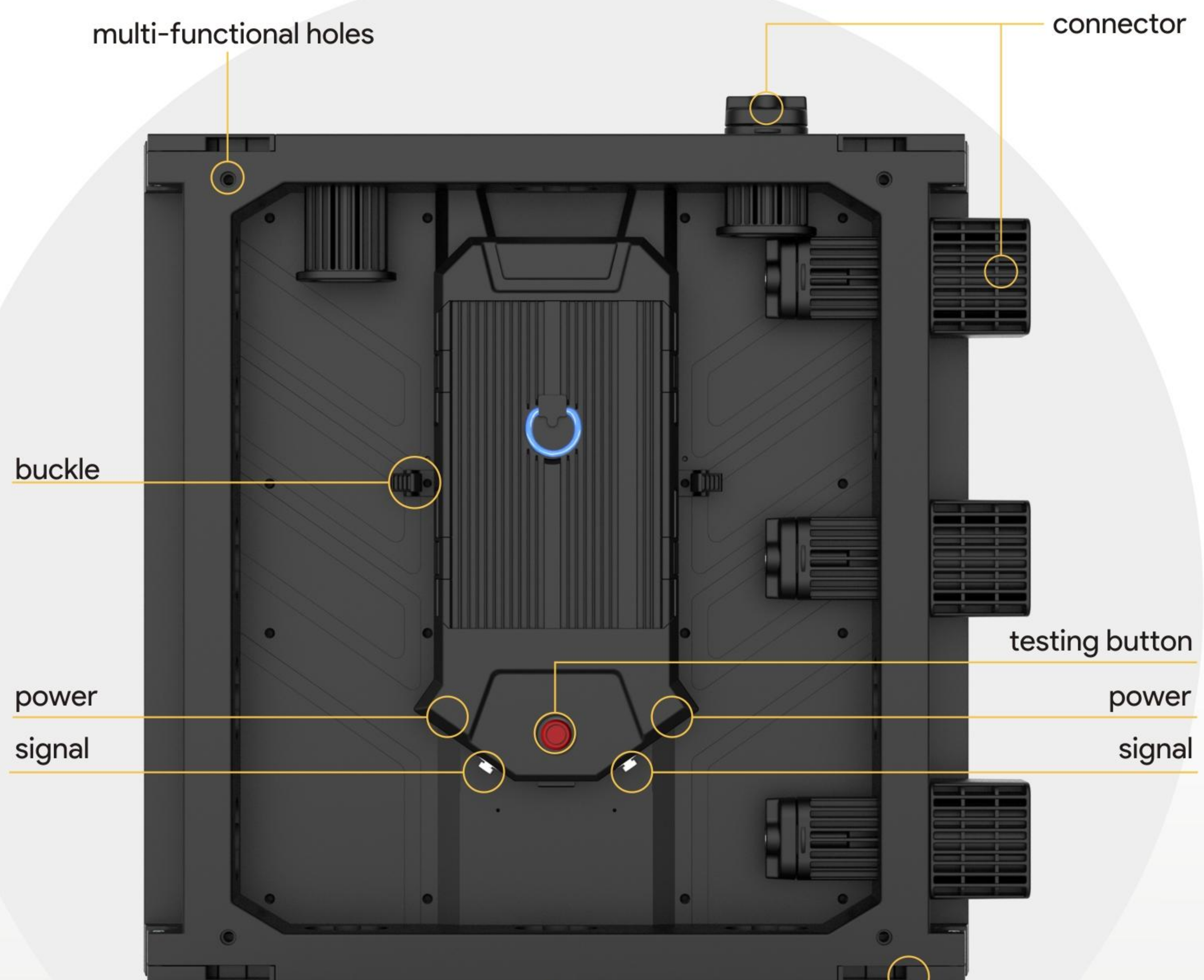




## Wise Choice for Indoor Rental



Firmer with high polymer nano technology material

More stable with unique structural design

corner protection



The world's first application of nano polymer materials in the field of LED screen, the cabinet is tough and strong, light and easy.



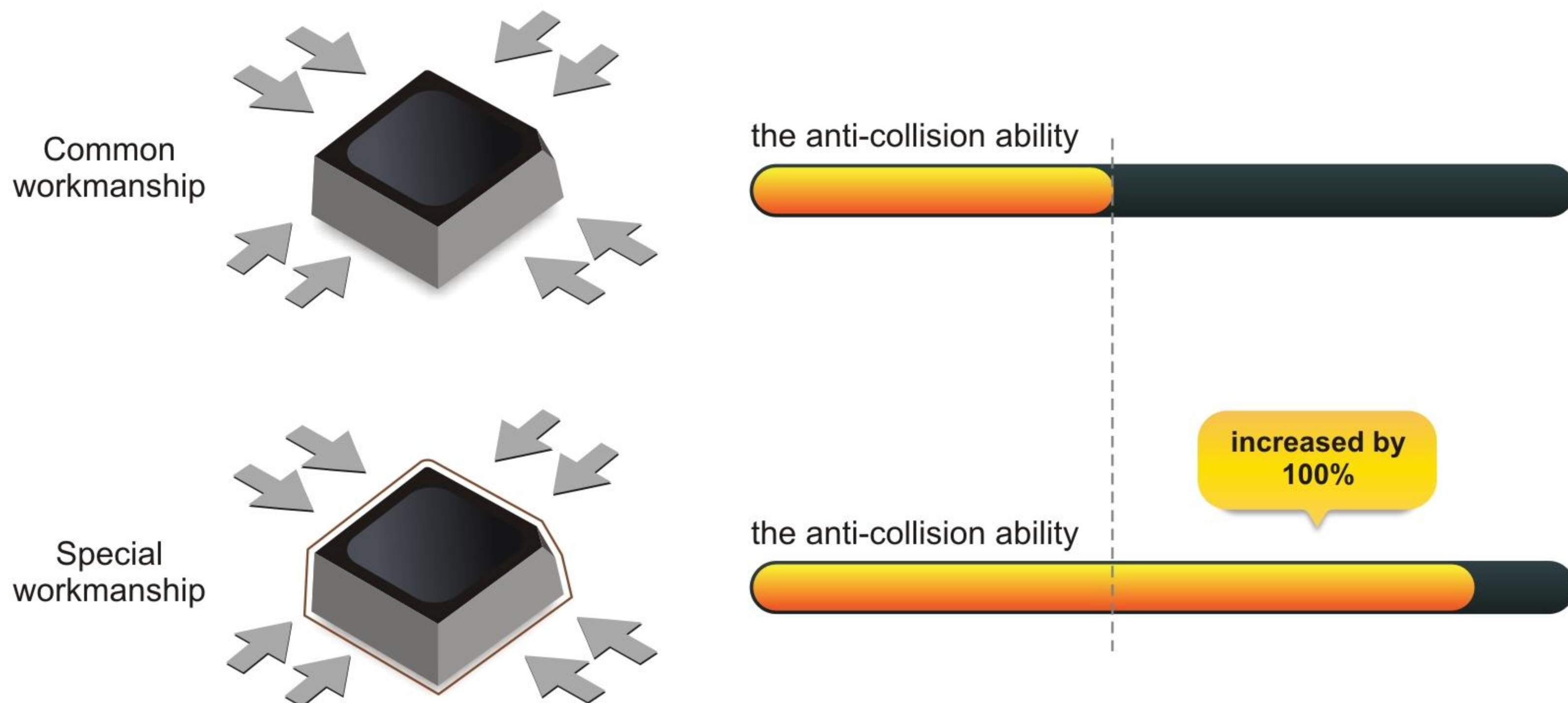
**MG6S series**  
cabinet size: 500\*500\*73mm



**MG6S plus series**  
cabinet size:500mm\*750mm\*73mm

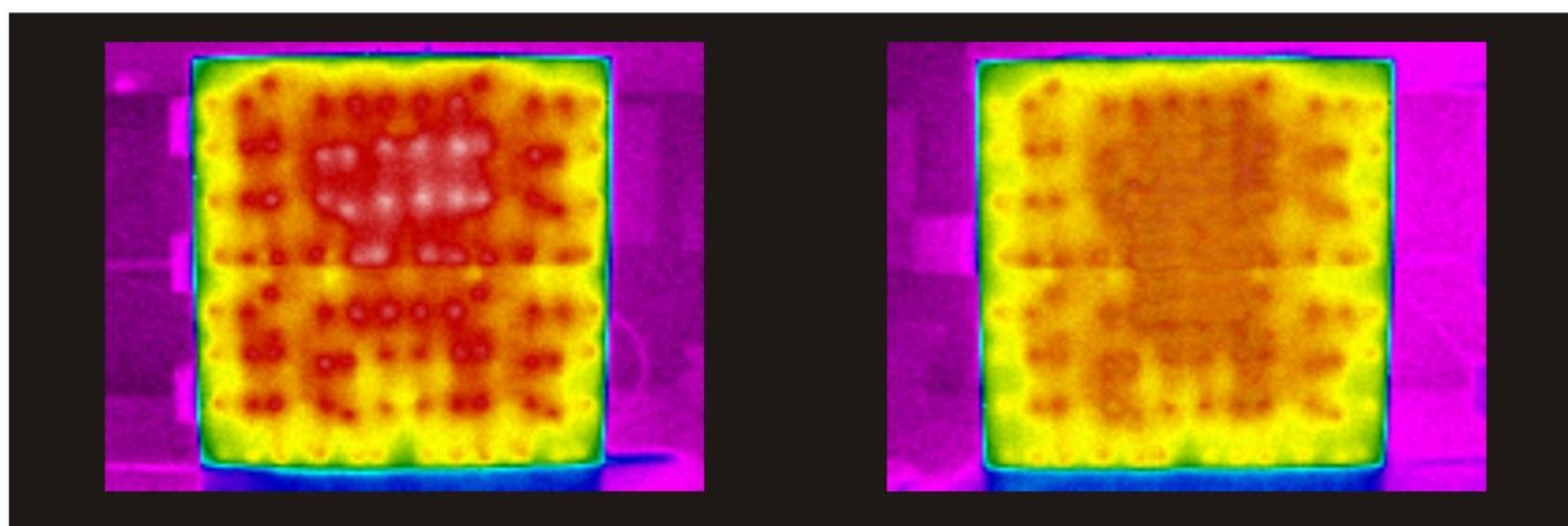
## LEDs' thrust increased by 100%

- ▶ LEDs adopt secondary adhesion reinforcement process, comparing with previous generation, collision resistance ability is improved; reduce LEDs dissipation in the process of using, greatly improve effectiveness of LEDs and also reduce maintenance cost.



## Uniform heat dissipation

- ▶ Adding the heat conduction balance system to release the heat of each working IC and LEDs effectively and evenly, which can reduce 3-4°C for the IC and LEDs at most. This can also make the heat dissipation quickly, enhance the display effect, stable and smooth the image and prolong the lifespan.



Without the heat conduction balance system  
Poor heat dissipation and display effect

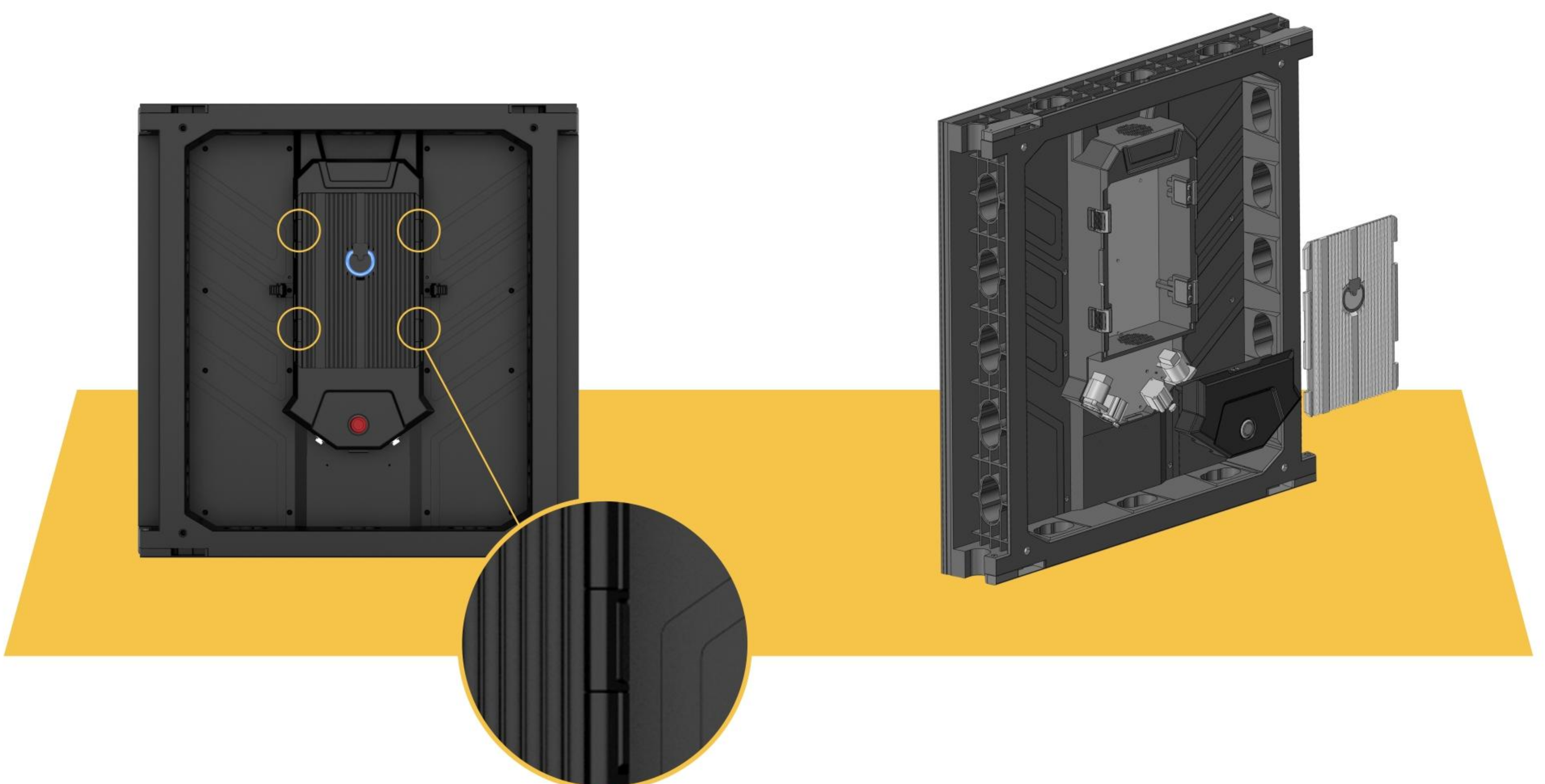
With the heat conduction balance system  
Uniform Heat Dissipation, outstanding display effect

## Convenient and efficient

- ▶ Hard connection wireless design is adopted inside the cabinet, the back cover is designed with pin, and modules, power supply and receiving card which can be removed and replaced quickly. The cabinet is light and thin, which saves time and effort for installation; P1.9 equipped with professional maintenance tools, compared with GOB/COB, it can realize on-site maintenance.

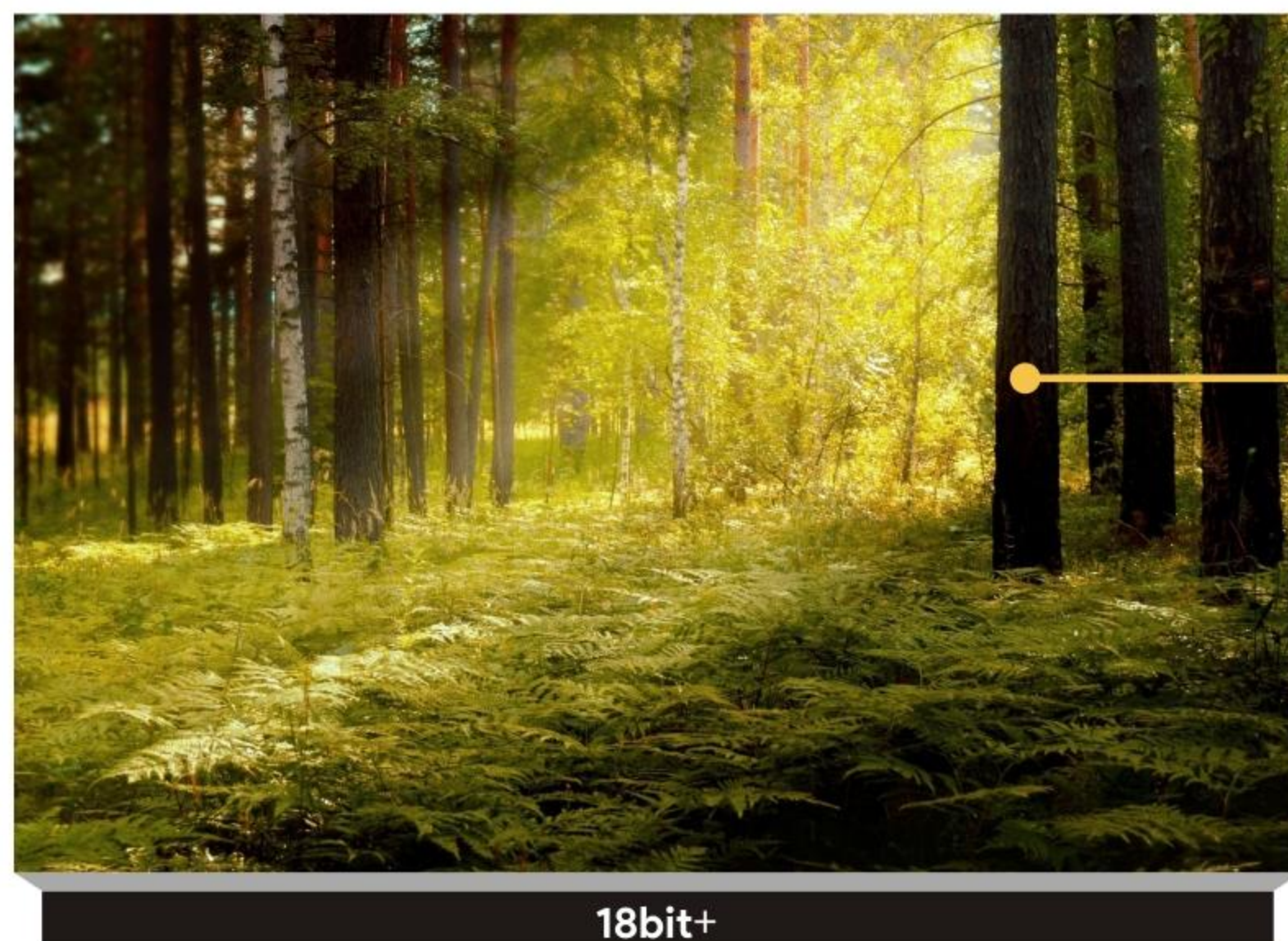


Compared to similar products, the magic stage cabinet weigh is 20% less.

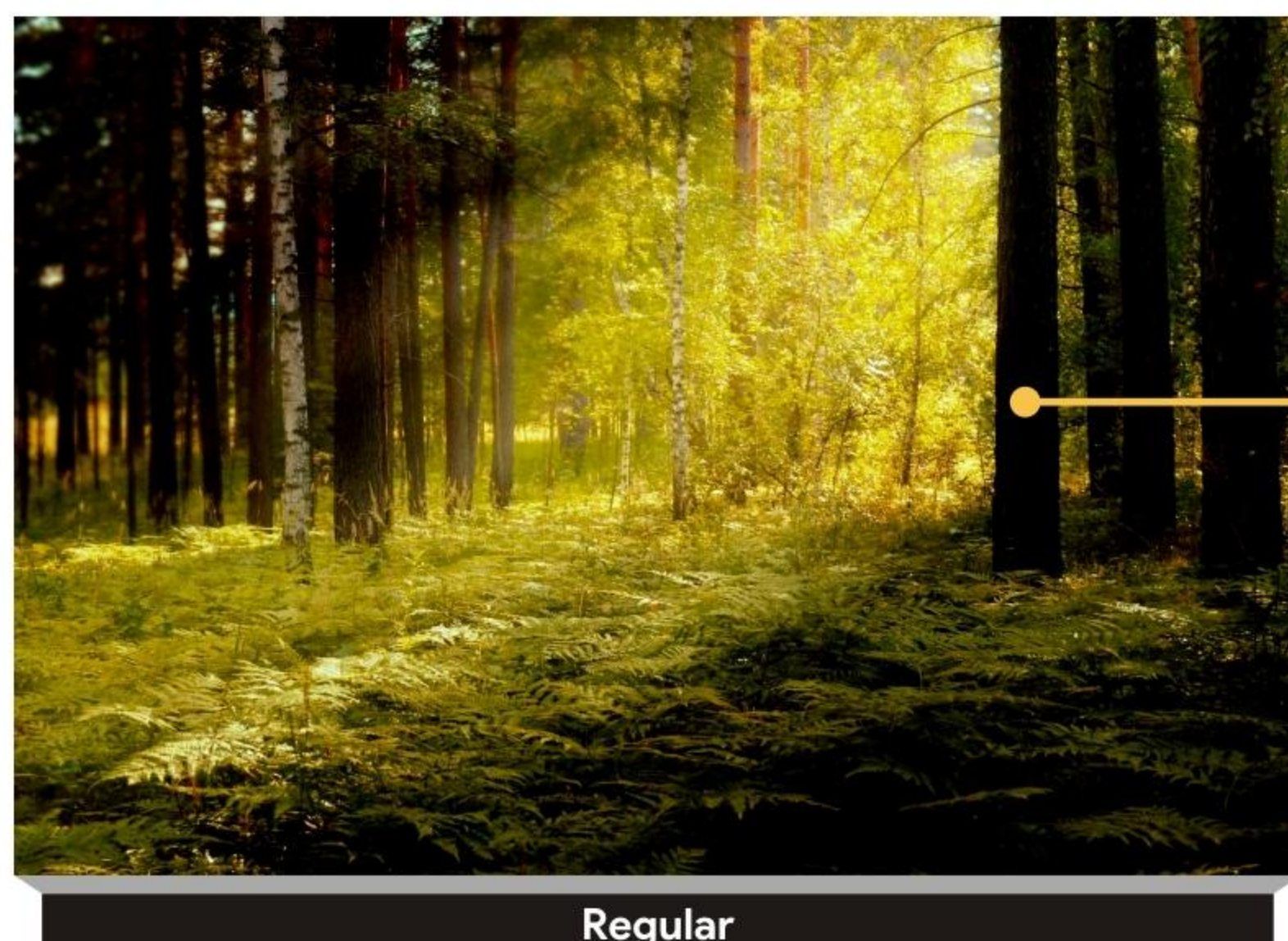


## Outstanding image quality

- ▶ Elaborately selected brand LEDs and high gray high refresh IC, matching with superior control system, and adopting HDR technology, screen could reach 18 bits gray scale. LEDs, PCB boards, and color of the mask in proper match, realizes equalized gray scan and great display consistency even though in low bright environment, mask color scientific matching, the gray scale is uniform and the display consistency is good under low brightness environment, maximum reappears real image.



18 bits gray scale output, reaches great display consistency in low bright environment and clear shadow details.



Common display: lose gray scale low bright environment, poor image details display, and have black patch in shadow.

## Safe and stable

- ▶ Using the world's unique patented polymer nano-material, the cabinets have the toughness of polymer materials and the firmness of metals. It is also light and thin, whose weight is only half of the metal material, and is physically stable enough to withstand both low and high temperatures.
- ▶ Support module flash management, intelligent module management, and double backup correction data, which secures the debugging and ensures high stability, safety and reliability of the system.



# MG Creative Extension Series

Make the stage more colorful

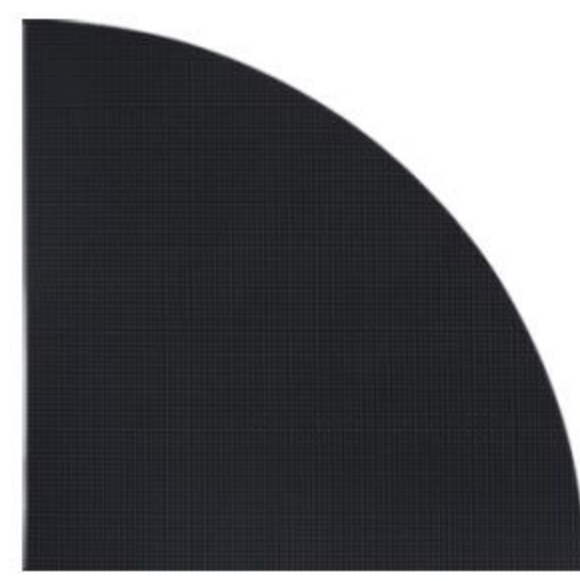
Together with MG regular panel, MG11, MG12, MG13, MG14, MG15, MG16 can make many creative shapes such as letters, numbers, heart, etc., making your stage more colorful and thus creating more value.



MG11+MG



MG12



MG13



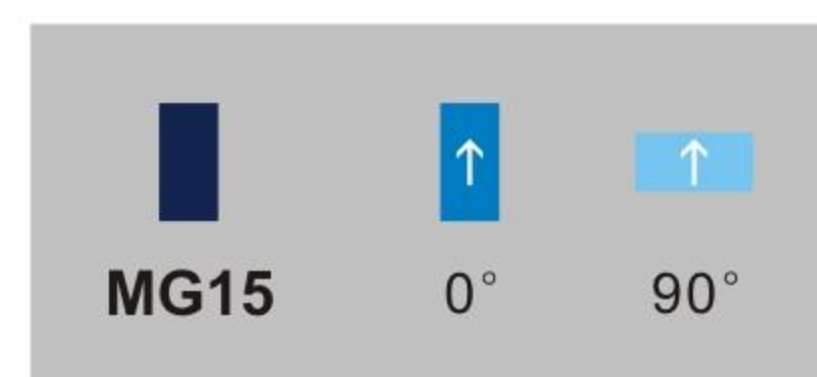
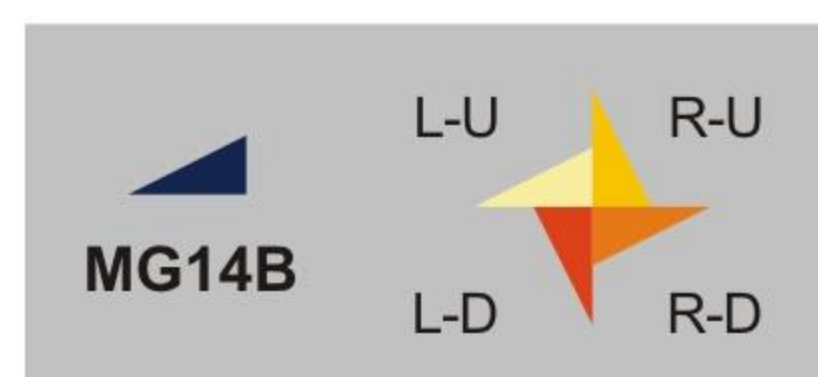
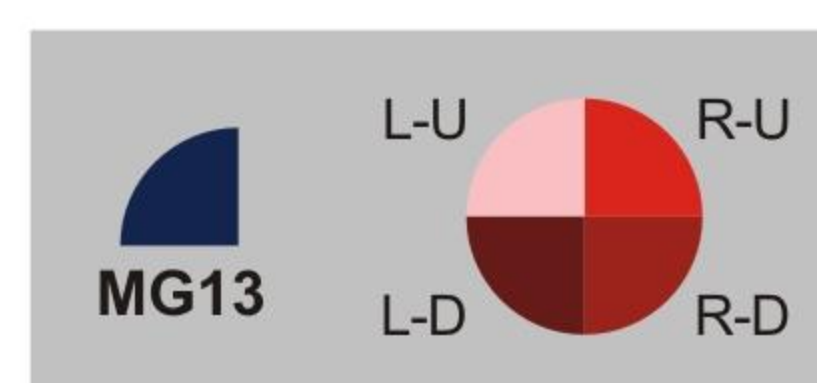
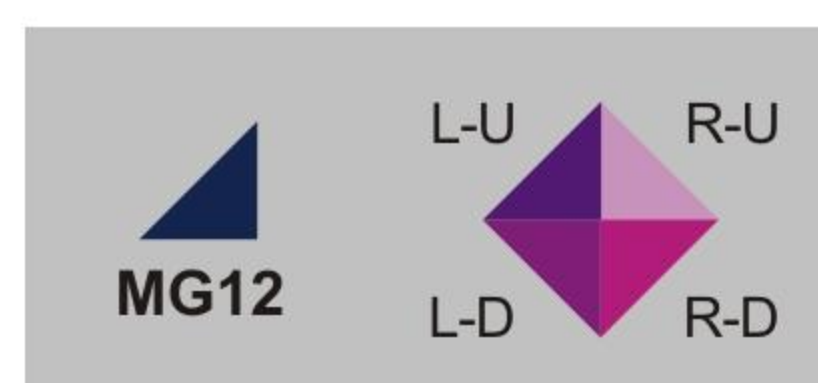
MG14

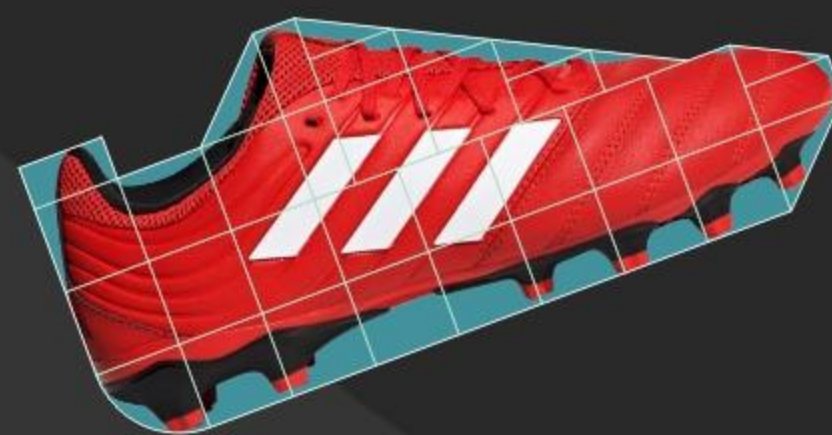


MG15



MG16





More

# MG multi-function mounting frame

Setting up a screen must be universal and convenient

## Components





## Features

### High strength material with good protection

- ▶ High strength aluminum alloy material, with high strength, light weight and good corrosion resistance and other characteristics; material surface with good dirt resistance and good consistency after special processing.

### Standardized design for flexibility and convenience

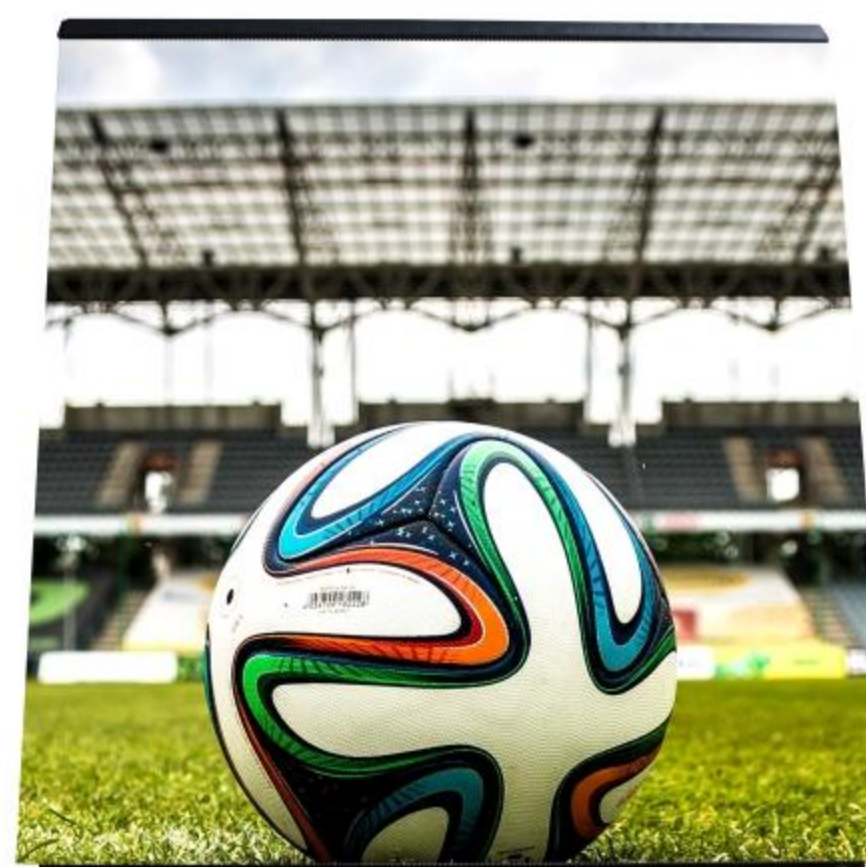
- ▶ Adopting standardized design and multi-component splicing structure, it has the characteristics of flexibility, multi-purpose, easy installation and maintenance, and wide site adaptation.

### Variety of connecting pieces for a variety of styles

- ▶ With the back frame arc parts and connection lock, it can perfectly match the MG magic series cabinet, and quickly realize the installation mode of seat mounted straight screen and seat mounted arc screen. The screen is closer to the ground, and the viewing experience is better.

## Wide application

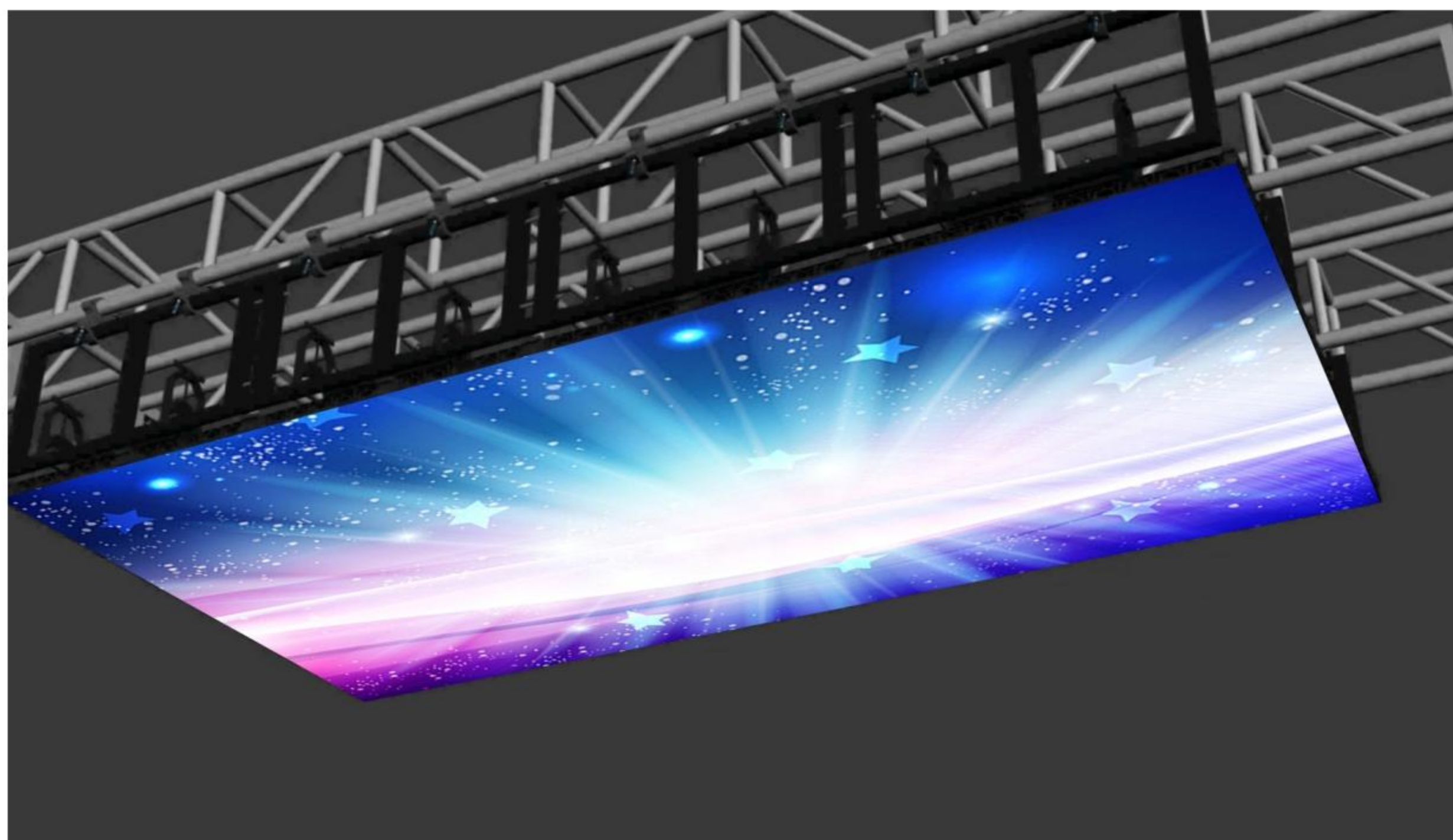
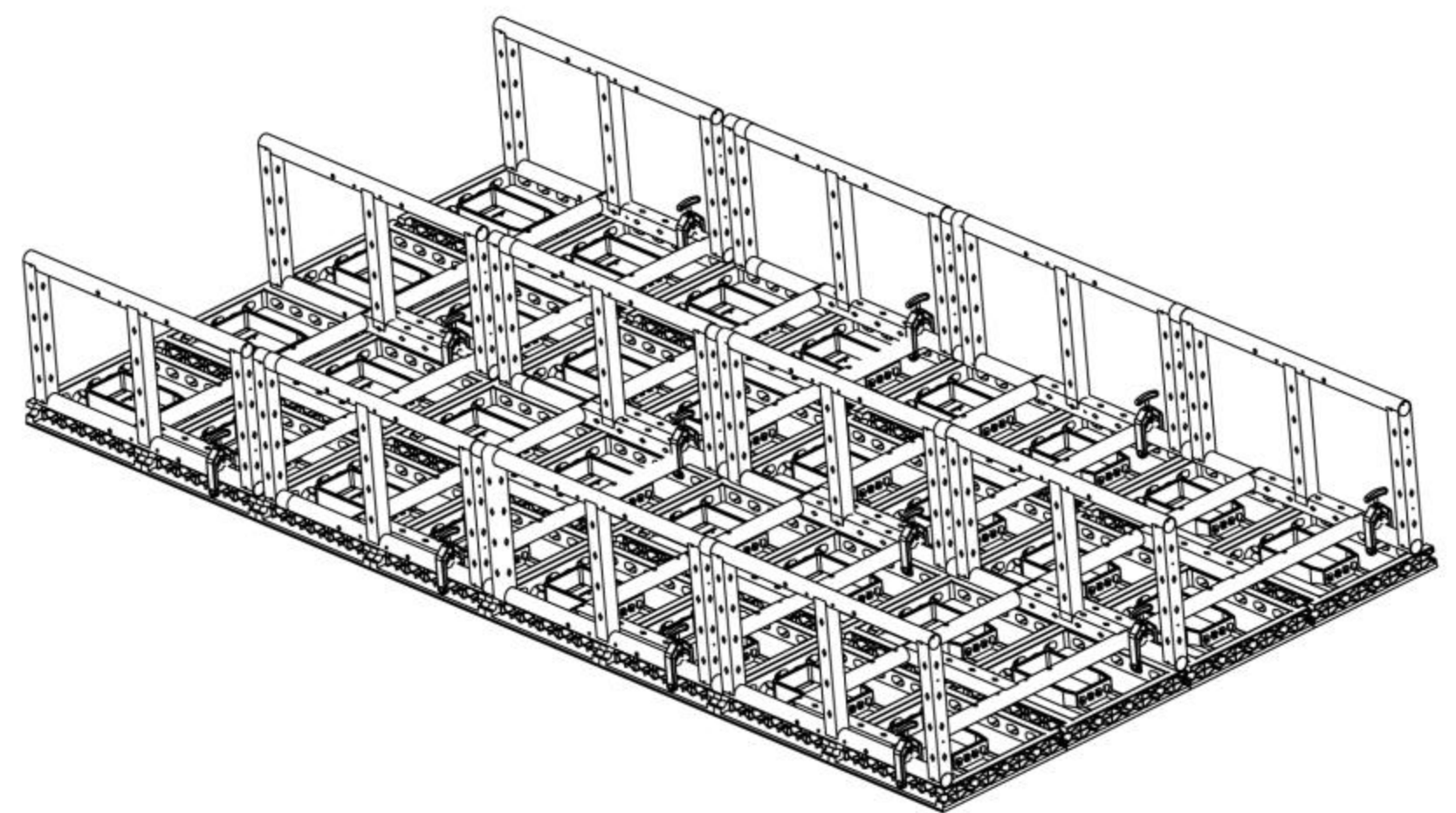
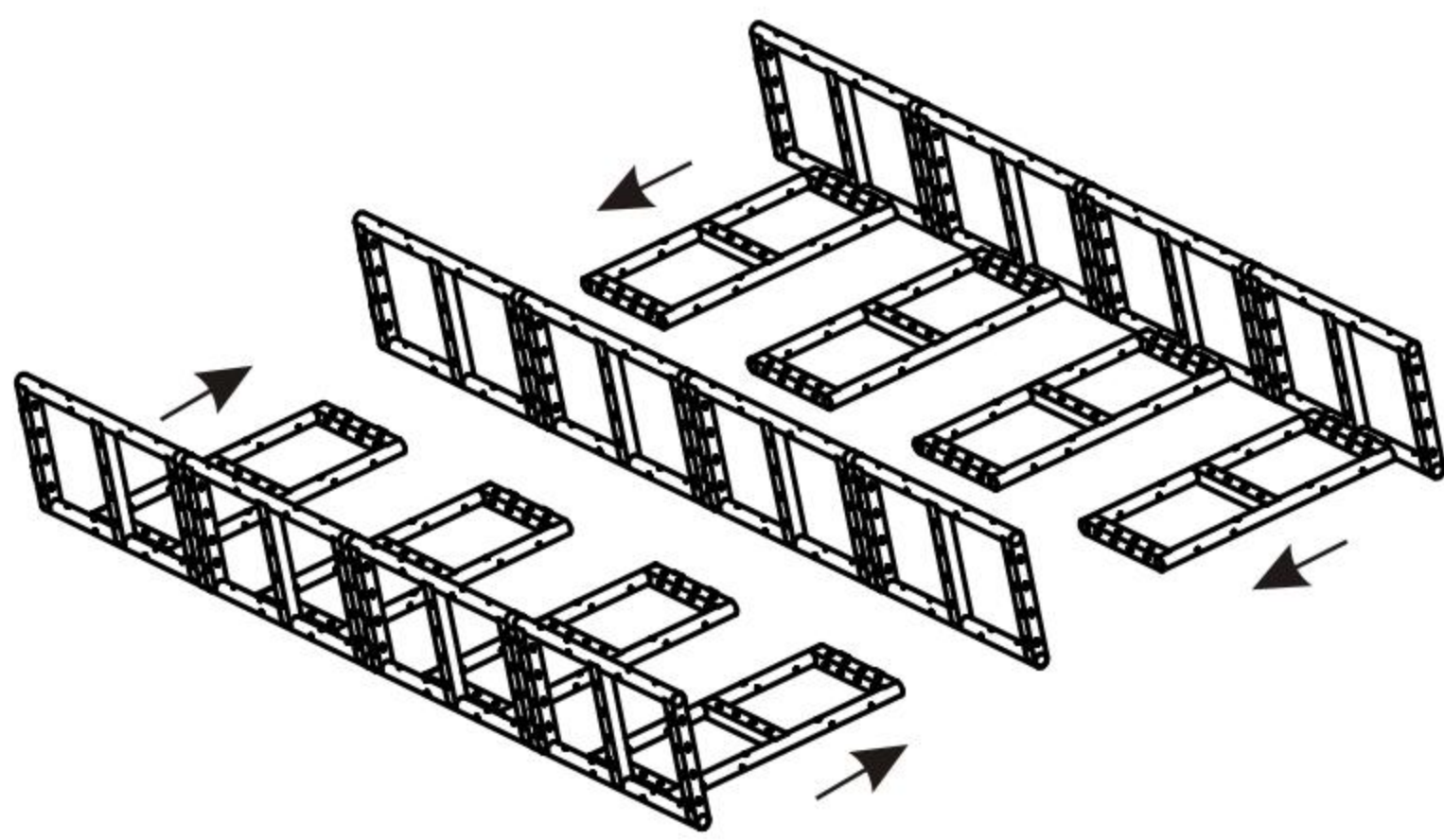
### Stadium screen setting up



## Floor screen setting up



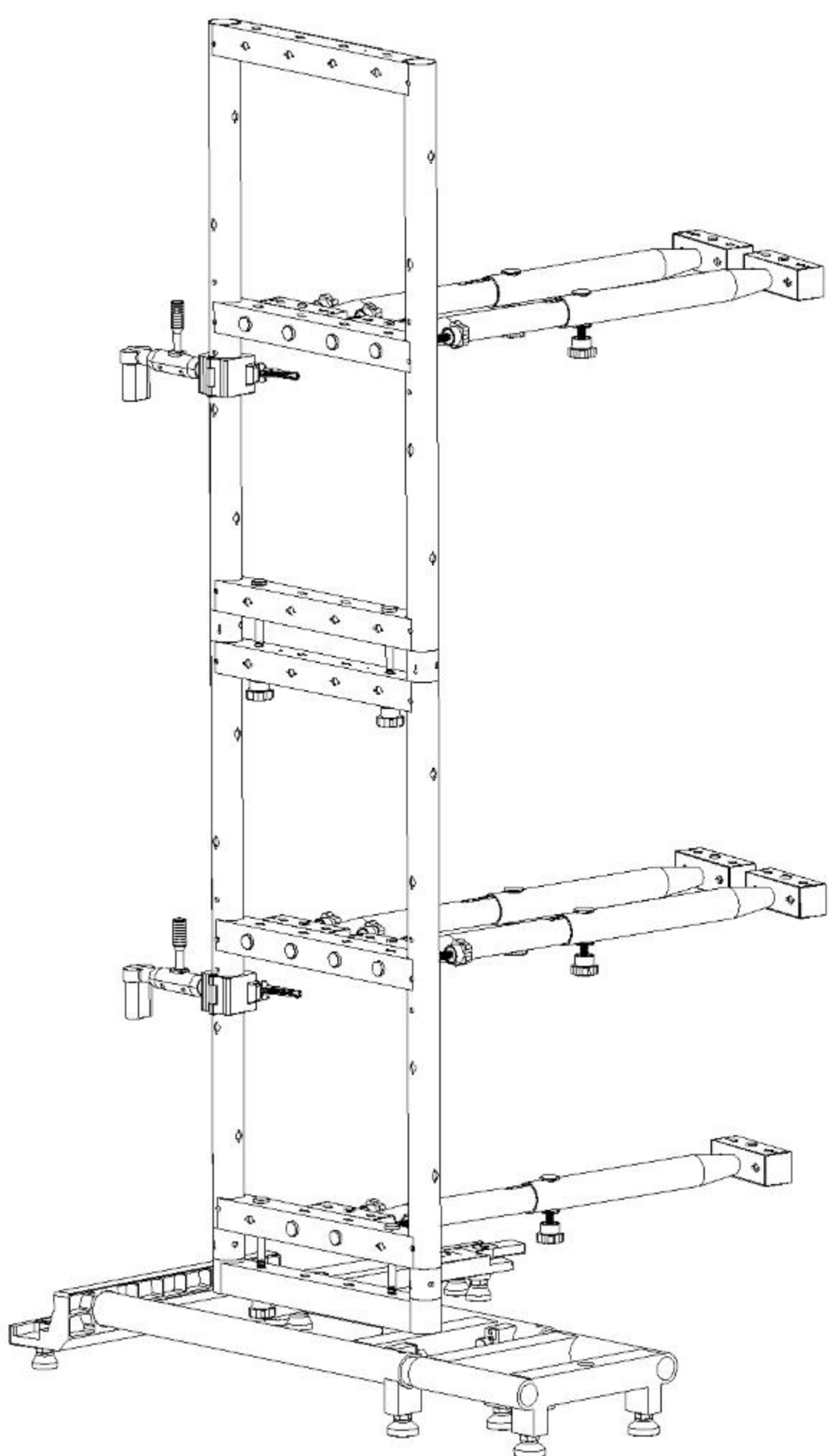
## Sky curtain setting up



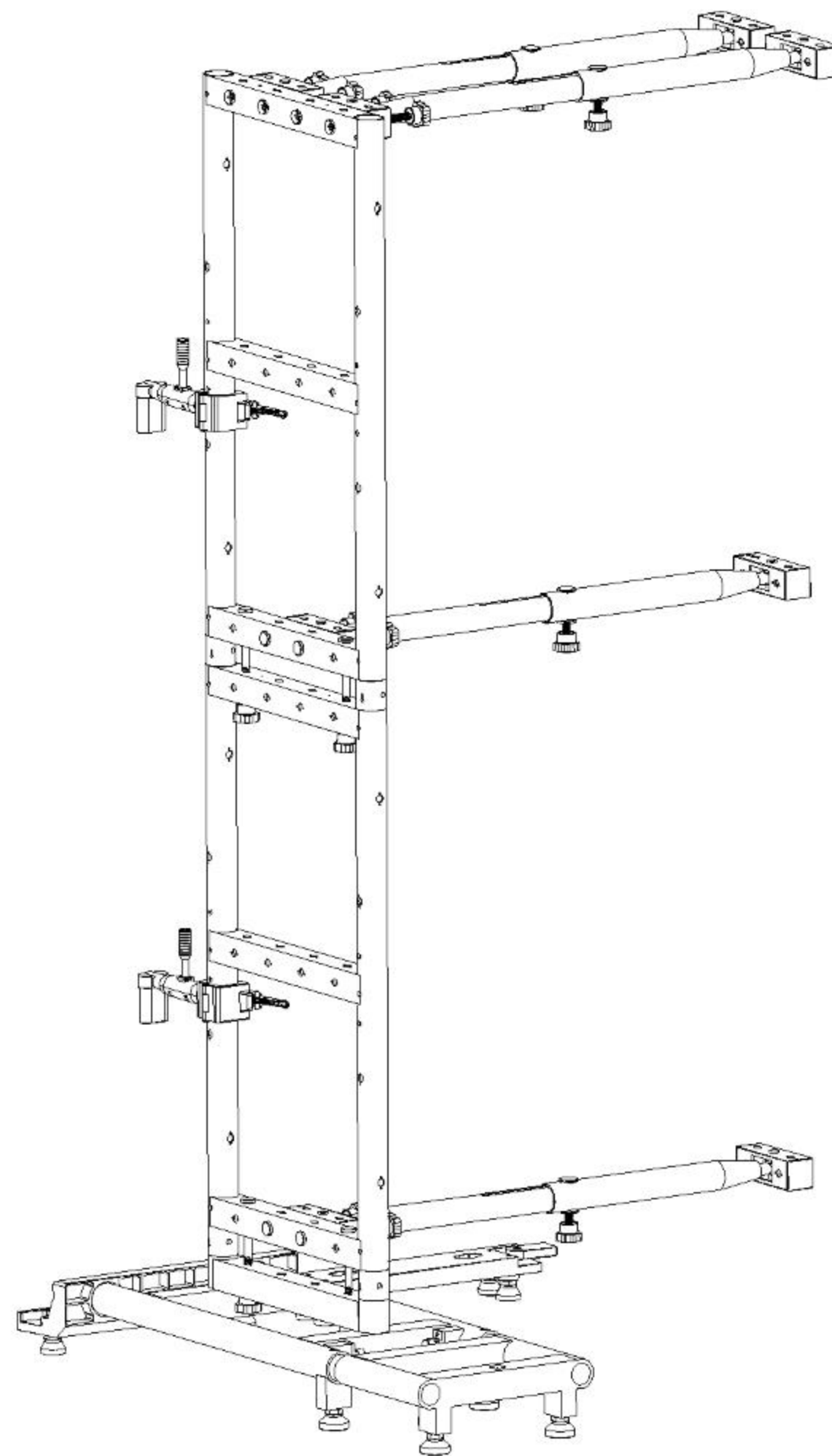
**Trailer setting up**



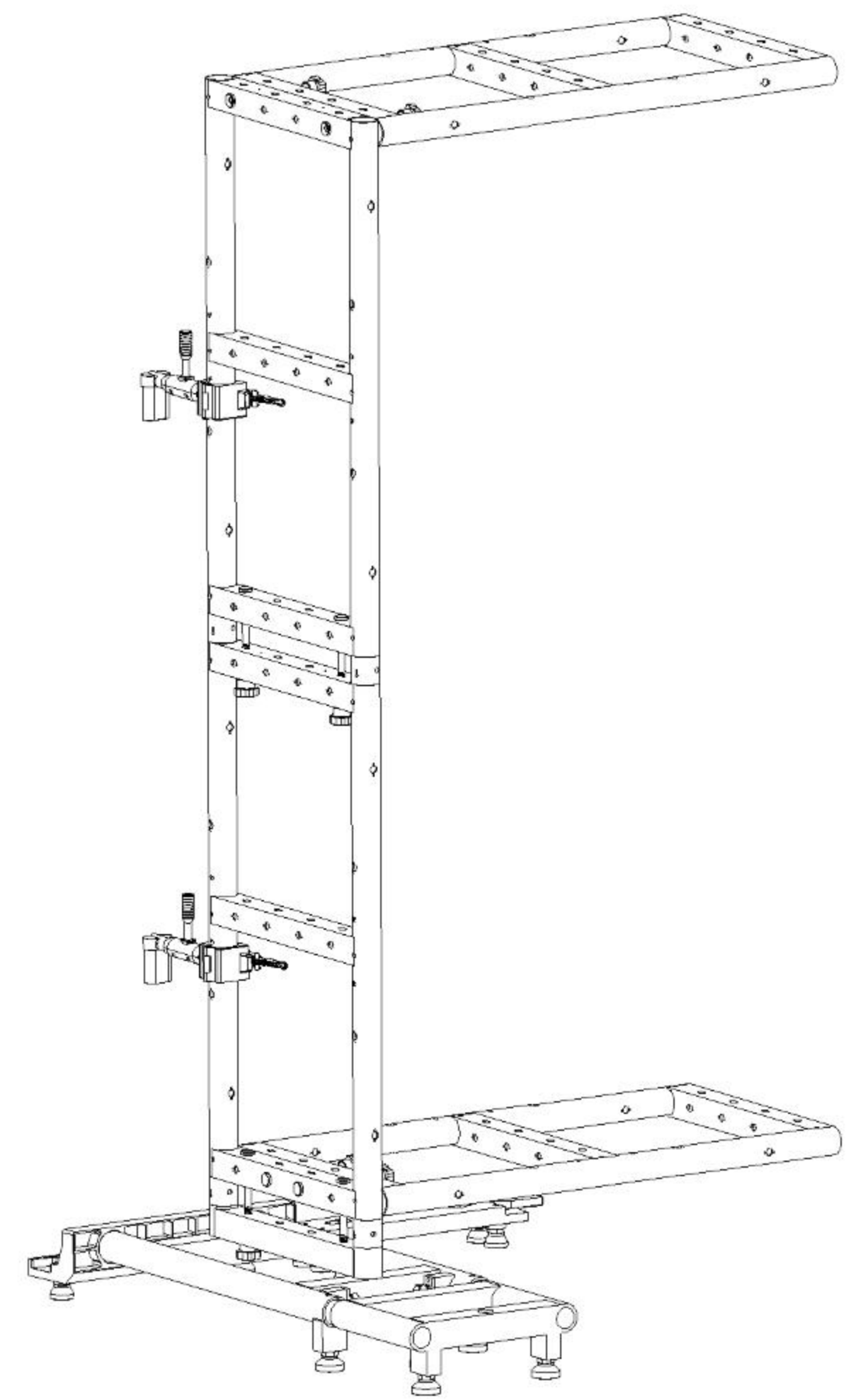
**Unite to launch**



MG multi-function mounting frame (arc) unit



MG multi-function mounting frame (straight screen) unit consists of A



MG multi-function mounting frame (straight screen) unit consists of B



### Application Scenarios:

Indoor concerts, awards ceremony, celebration meetings, indoor sports events, etc

### Product Parameter

Items		YMG6S Pro P01JNFT32	YMG6S Pro P01JNFS32	YMG6S Pro P02GNFS24	YMG6S Pro P02INFD22
Module	LED Encapsulation	IMD	1515	1515	1515
	Pixel Pitch (mm)	1.9	1.9	2.6	2.84
	Module Resolution (W×H)	128×128	128×128	96×96	88×88
	Module Size (mm)	250×250	250×250	250×250	250×250
Cabinet	Module Quantity per Cabinet (W×H)	2×2	2×2	2×2	2×2
	Resolution (W×H)	256×256	256×256	192×192	176×176
	Size (mm)	500×500×73	500×500×73	500×500×73	500×500×73
	Area (m <sup>2</sup> )	0.25	0.25	0.25	0.25
	Weight (kg/Cabinet)	6.7	6.7	6.7	6.7
	Pixel Density (dot/m <sup>2</sup> )	262144	262144	147456	123904
	IP Grade	IP50	IP50	IP50	IP50
Optical Parameters	Brightness/Chroma Calibration	YES/YES	YES/YES	YES/YES	YES/YES
	White Balance Brightness (nit)	500-700	800-1000	800-1000	800-1000
	Horizontal/Vertical Viewing Angle (°)	160/160	160/160	160/160	160/120
	Contrast Ratio Uniformity	52500:1	52500:1	52500:1	52500:1
Electrical Parameters	Power Consumption (W/m <sup>2</sup> )	400±15%/105±15%	400±15%/140±15%	450±15%/170±15%	420±15%/140±15%
	Working Voltage	AC 100~240V	AC 100~240V	AC 100~240V	
Processing Performance	Driving Method	Constant Drive	Constant Drive	Constant Drive	Constant Drive
	Frame Frequency (Hz)	50 / 60	50 / 60	50 / 60	50 / 60
	Refresh Rate (Hz)		≥1920(1920,2880,3840...)		
	Control System	Nova	Nova	Nova	Nova
Usage parameters	Communication Mode	CAT 5	CAT 5	CAT 5	CAT 5
	Angle of arc Installation (°)	175~185	175~185	175~185	175~185
	Min Circle Diameter (m)	11.6	11.6	11.6	11.6
Certificate	Product Certification	CE FCC ETL			